

AGNI-Seal in 120mm Concrete Floor/Ceiling Up to 150mm Copper or Steel Pipe FRR -/120/120

System ID# FC616

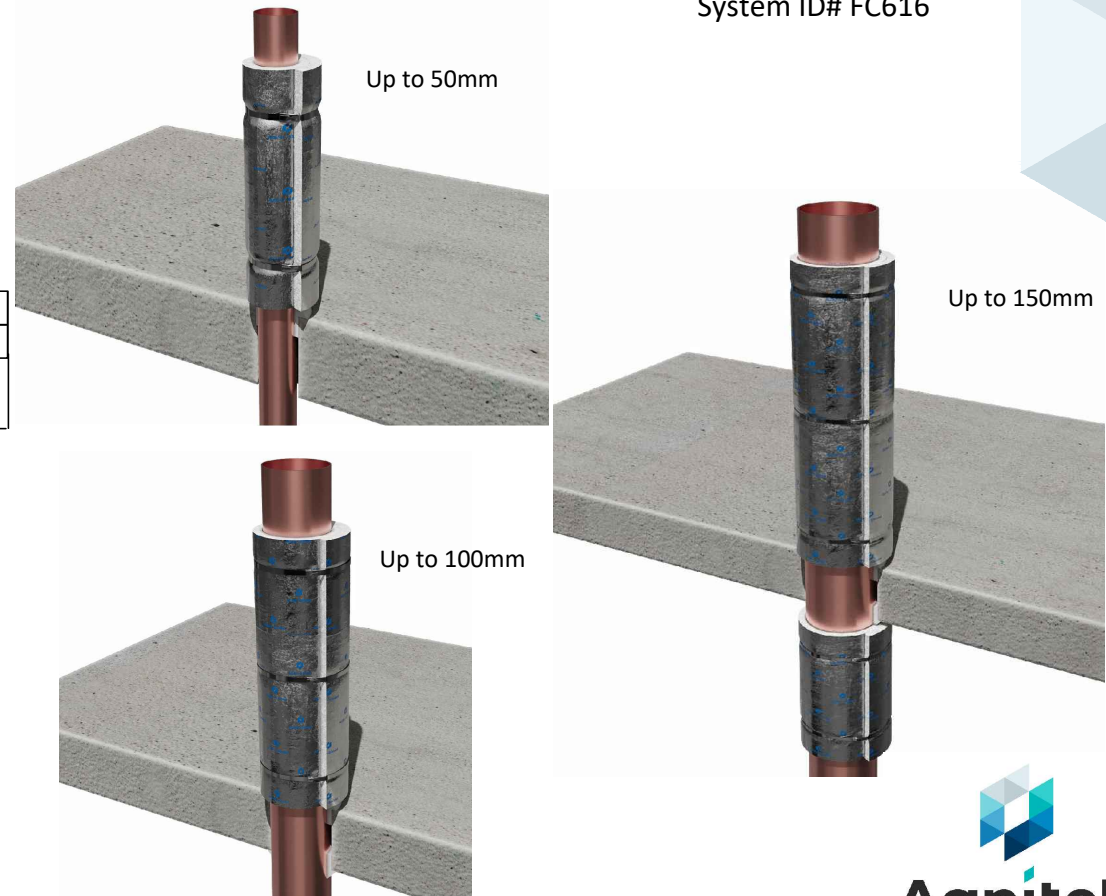
Step-by-step installation instructions:

1. Ensure the aperture is free from dust and debris.
2. For all sizes, install 30mm (nominal) deep AGNI-Seal into the annular gap on the top side of the floor / ceiling and apply a 20mm x 20mm AGNI-Seal sealant fillet/ cone around the pipe to the floor / ceiling.
3. Wrap one revolution of AGNI-Shield with 50mm overlap around the pipe to the floor / ceiling with the length of AGNI-Shield and number of AGNI-Straps as follows:

DN 32mm-DN 50mm	>DN 50 mm up to DN 100mm	>DN 100mm up to DN 150mm
300mm	450mm	600mm
2 x AGNI-Straps, 50mm from each end	3 x AGNI-Straps, 50mm from each end & in the middle	

4. In addition, for pipes >DN 50mm, install 30mm (nominal) deep AGNI-Seal into the annular gap on the underside of the floor / ceiling and apply a 20mm x 20mm AGNI-Seal sealant fillet/cone around the pipe to the concrete floor / ceiling.
5. Seal the joint of the AGNI-Shield and the top of the AGNI-Shield to the pipe with aluminium foil tape.
6. In addition, for pipes >DN 100mm wrap one revolution of 300mm AGNI-Shield with 50mm overlap around the pipe on the underside of the floor / ceiling and secure with an AGNI-Strap positioned 50mm from each end of the AGNI-Shield.

NOTE: Tested all sizes with copper pipes. Steel pipes approved by virtue of AS1530.4 clause 10.12.3.2



Technical Information

Substrate	Min 120mm concrete floor/ceiling
Service range	From DN32mm up to DN150mm copper /steel pipes
Annular gap	2 - 8.4mm
AGNI-Products	AGNI-Shield, AGNI-Seal, AGNI-Straps
Protection installation	Asymmetrical

Compliance Information

Standards	AS1530.4-2014, AS4072.1-2005
FRR/FRL	-/120/120
Reference	PF24141



Agnitek[®]
FIRE RATED TECHNOLOGY

8 Clare St Bayswater
VIC 3153, AUSTRALIA
www.agnitek.com.au

Date	14.01.2025
------	------------

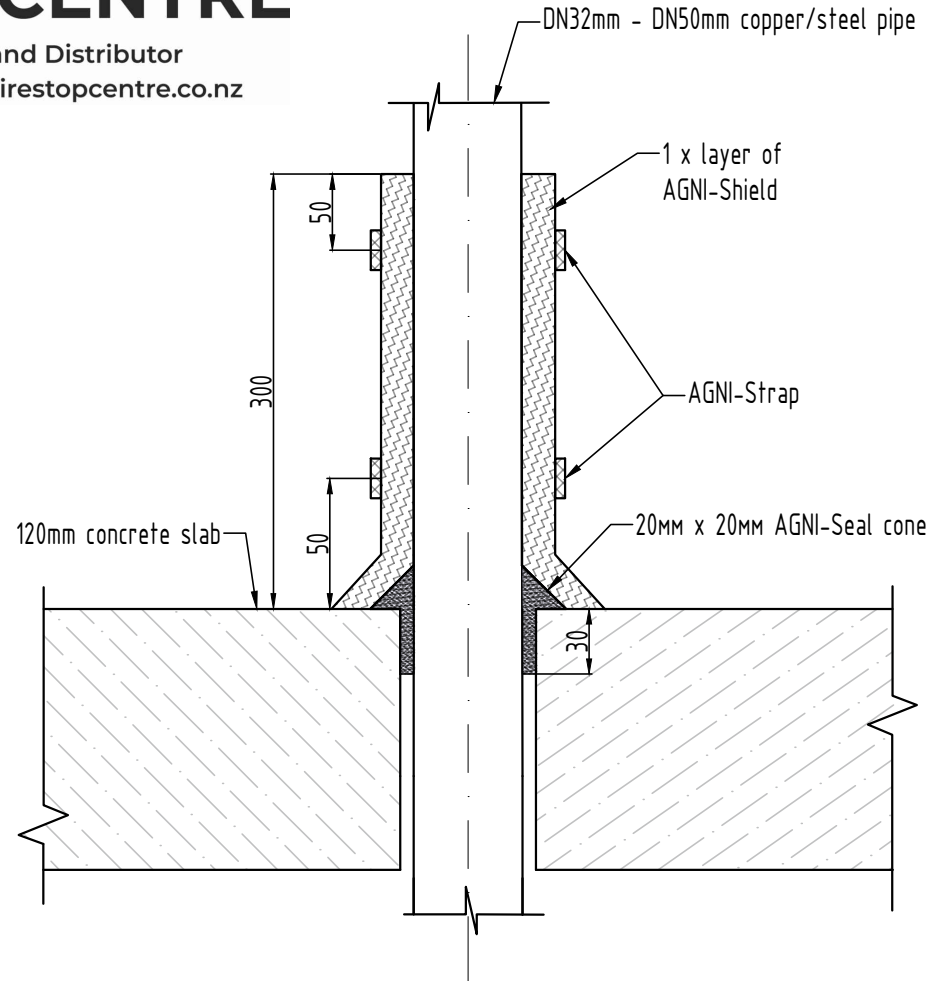
Disclaimer

Agnitek reserves the right to modify product specifications without prior notice due to its ongoing research, development & certification programme. The information in this document is provided in good faith and is intended for guidance purposes only. Any accompanying drawings are solely for illustrative purposes. Since Agnitek cannot oversee installation methods or ensure site conditions, no warranties, expressed or implied, are intended regarding the products' actual performance. We do not accept liability for any loss, damage, or injury from using this information. Please take a look at the test reports displayed on a relevant AGNI-System webpage for all compliance specifics.



FIRESTOP CENTRE

Authorised New Zealand Distributor
Ph (09) 483 4000 www.firestopcentre.co.nz



System ID# FC616



8 Clare St Bayswater
VIC 3153, AUSTRALIA
www.agnitek.com.au

Date 14.01.2025

Technical Information

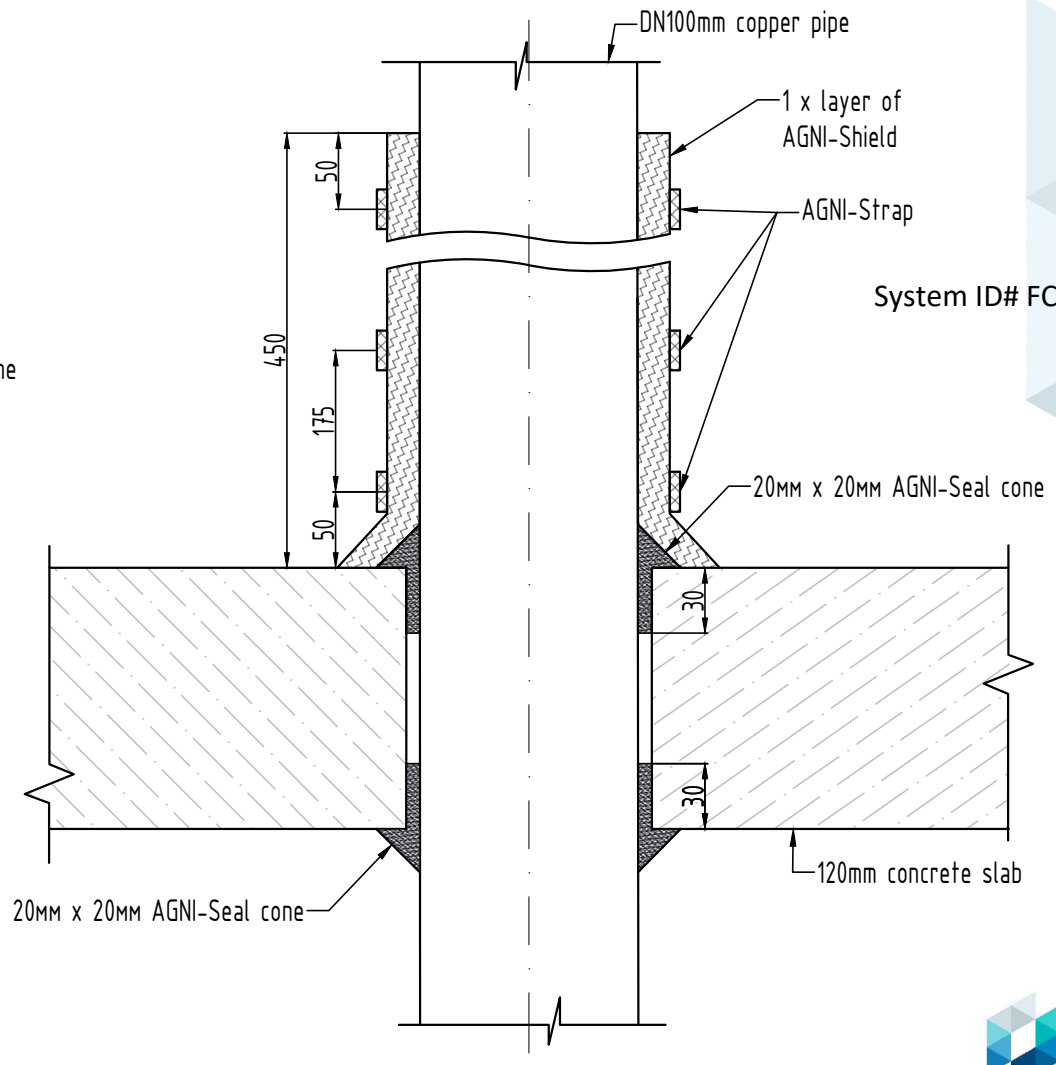
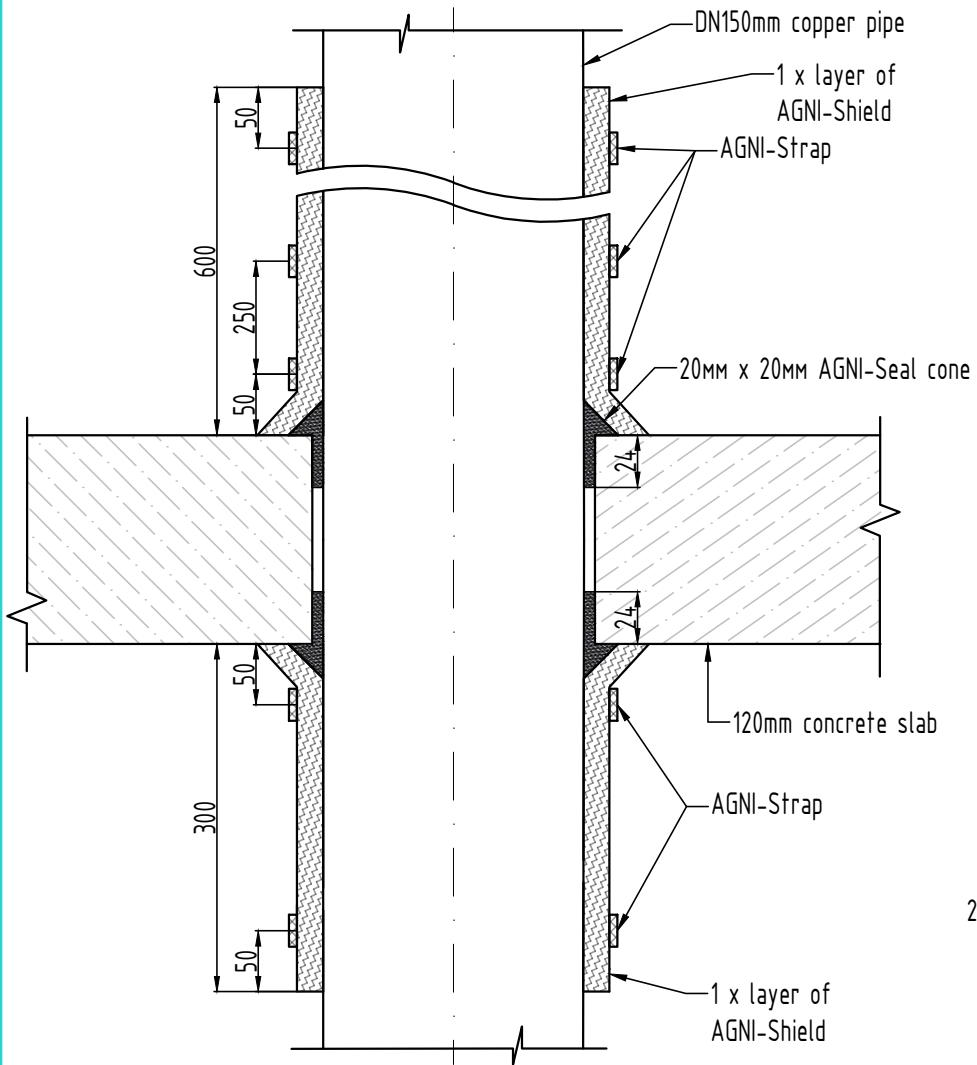
Substrate	Min 120mm concrete floor/ceiling
Service range	From DN32mm up to DN50mm copper /steel pipes
Annular gap	2 - 8.4mm
AGNI-Products	AGNI-Shield, AGNI-Seal, AGNI-Straps
Protection installation	Asymmetrical

Compliance Information

Standards	AS1530.4-2014, AS4072.1-2005
FRR/FRL	-/120/120
Reference	PF24141

Disclaimer

Agnitek reserves the right to modify product specifications without prior notice due to its ongoing research, development & certification programme. The information in this document is provided in good faith and is intended for guidance purposes only. Any accompanying drawings are solely for illustrative purposes. Since Agnitek cannot oversee installation methods or ensure site conditions, no warranties, expressed or implied, are intended regarding the products' actual performance. We do not accept liability for any loss, damage, or injury from using this information. Please take a look at the test reports displayed on a relevant AGNI-System webpage for all compliance specifics.



System ID# FC616



Agnitek
FIRE RATED TECHNOLOGY

8 Clare St Bayswater
VIC 3153, AUSTRALIA
www.agnitek.com.au

Technical Information

Substrate	Min 120mm concrete floor/ceiling
Service range	From >DN50mm up to DN150mm copper / steel pipes
Annular gap	2 - 8.4mm
AGNI-Products	AGNI-Shield, AGNI-Seal, AGNI-Straps
Protection installation	Asymmetrical

Compliance Information

Standards	AS1530.4-2014, AS4072.1-2005
FRR/FRL	-/120/120
Reference	PF24141

Date	14.01.2025
------	------------

Disclaimer
Agnitek reserves the right to modify product specifications without prior notice due to its ongoing research, development & certification programme. The information in this document is provided in good faith and is intended for guidance purposes only. Any accompanying drawings are solely for illustrative purposes. Since Agnitek cannot oversee installation methods or ensure site conditions, no warranties, expressed or implied, are intended regarding the products' actual performance. We do not accept liability for any loss, damage, or injury from using this information. Please take a look at the test reports displayed on a relevant AGNI-System webpage for all compliance specifics.